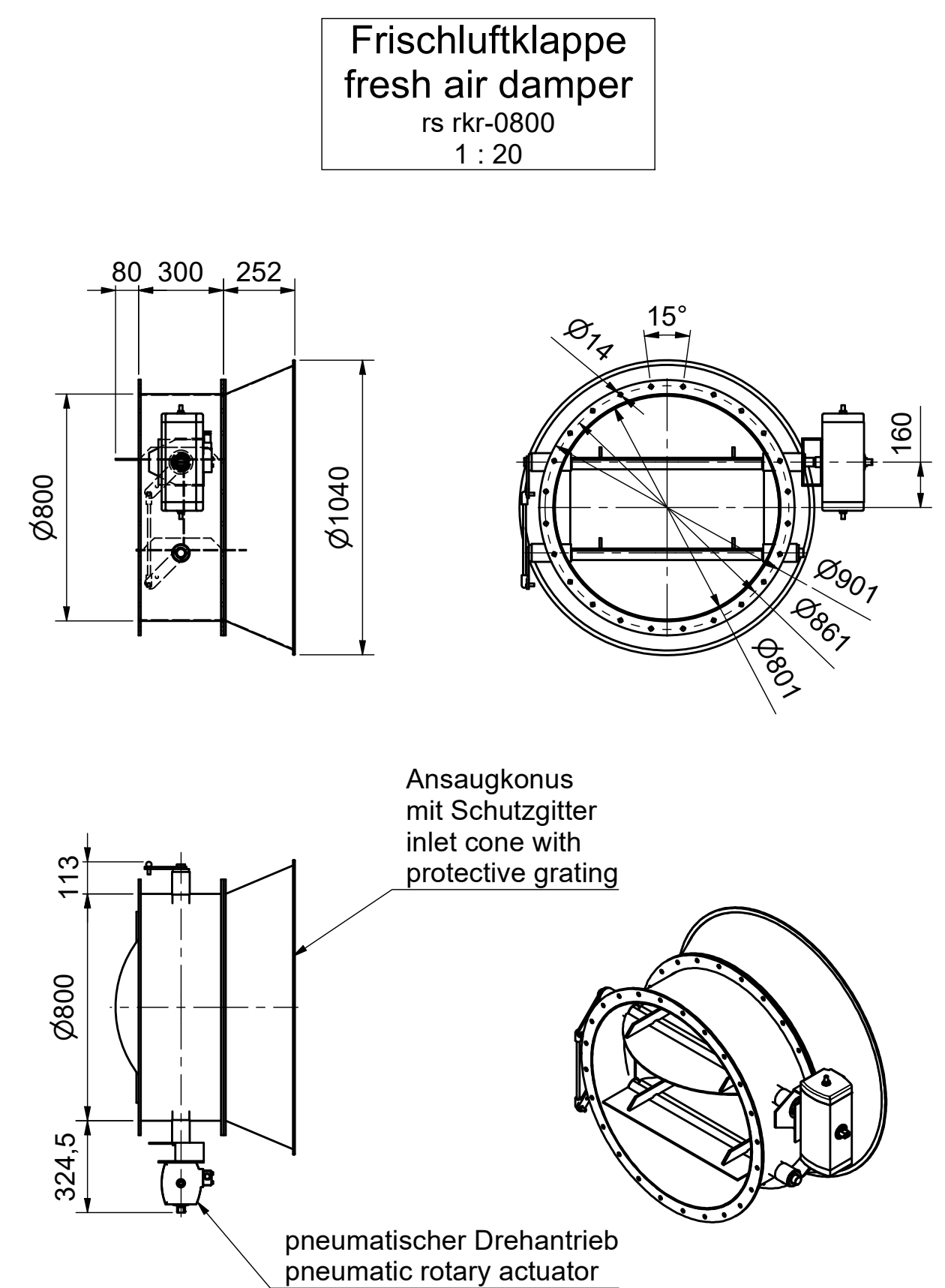
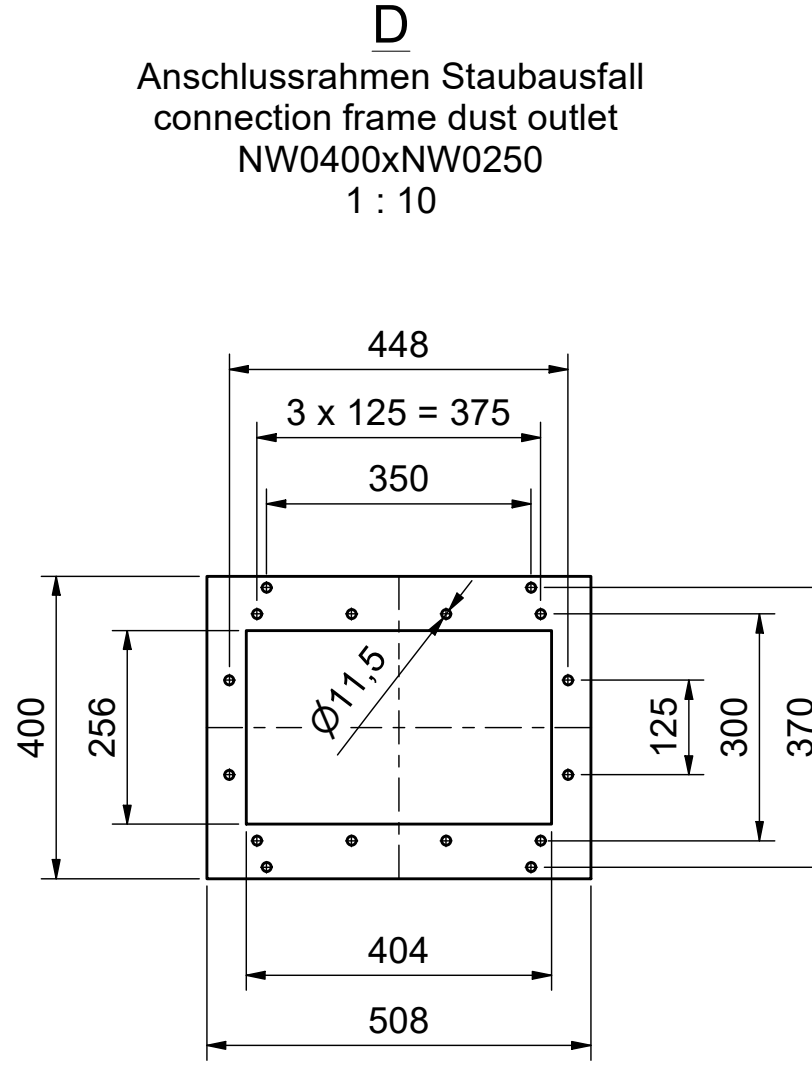
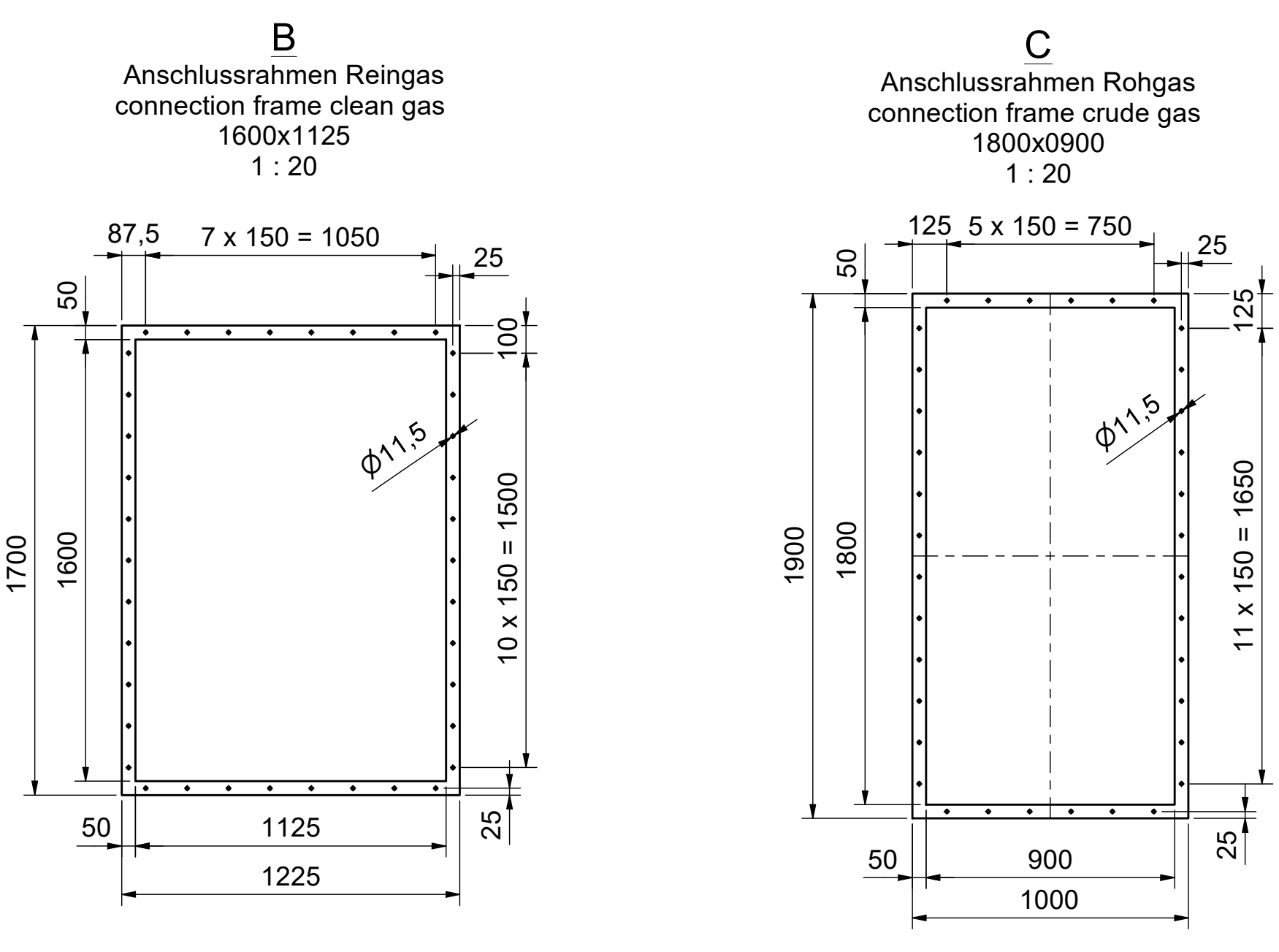
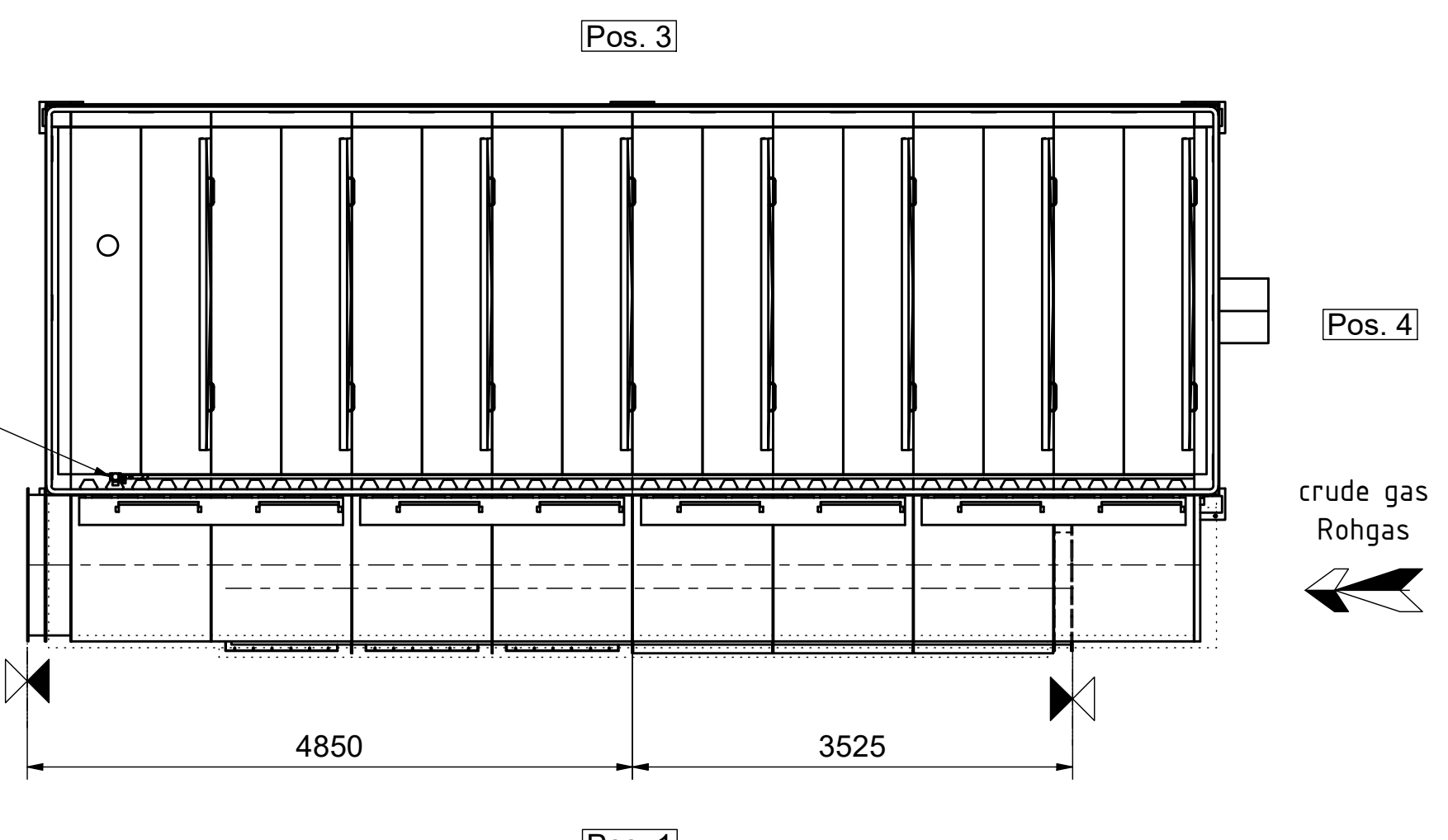
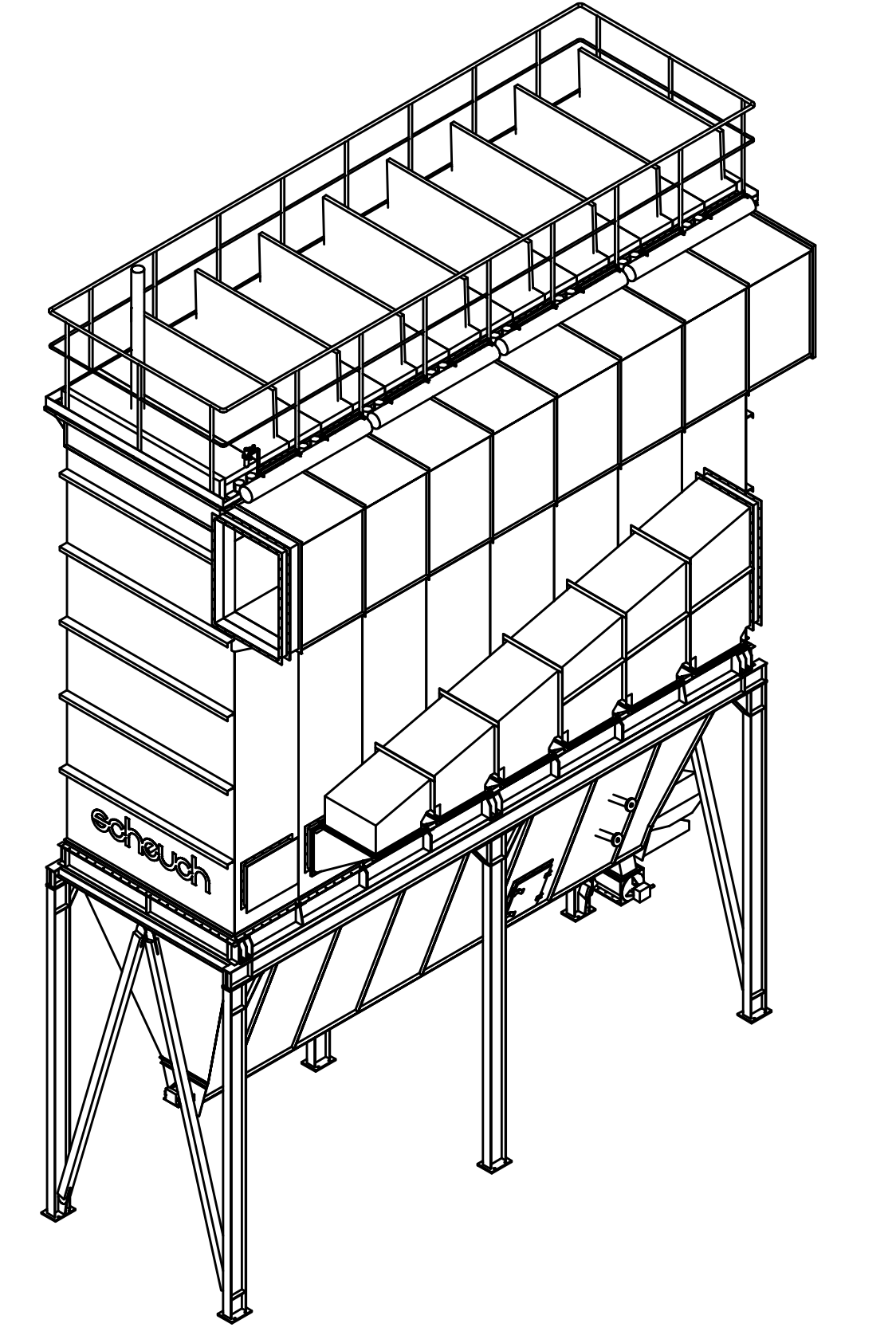
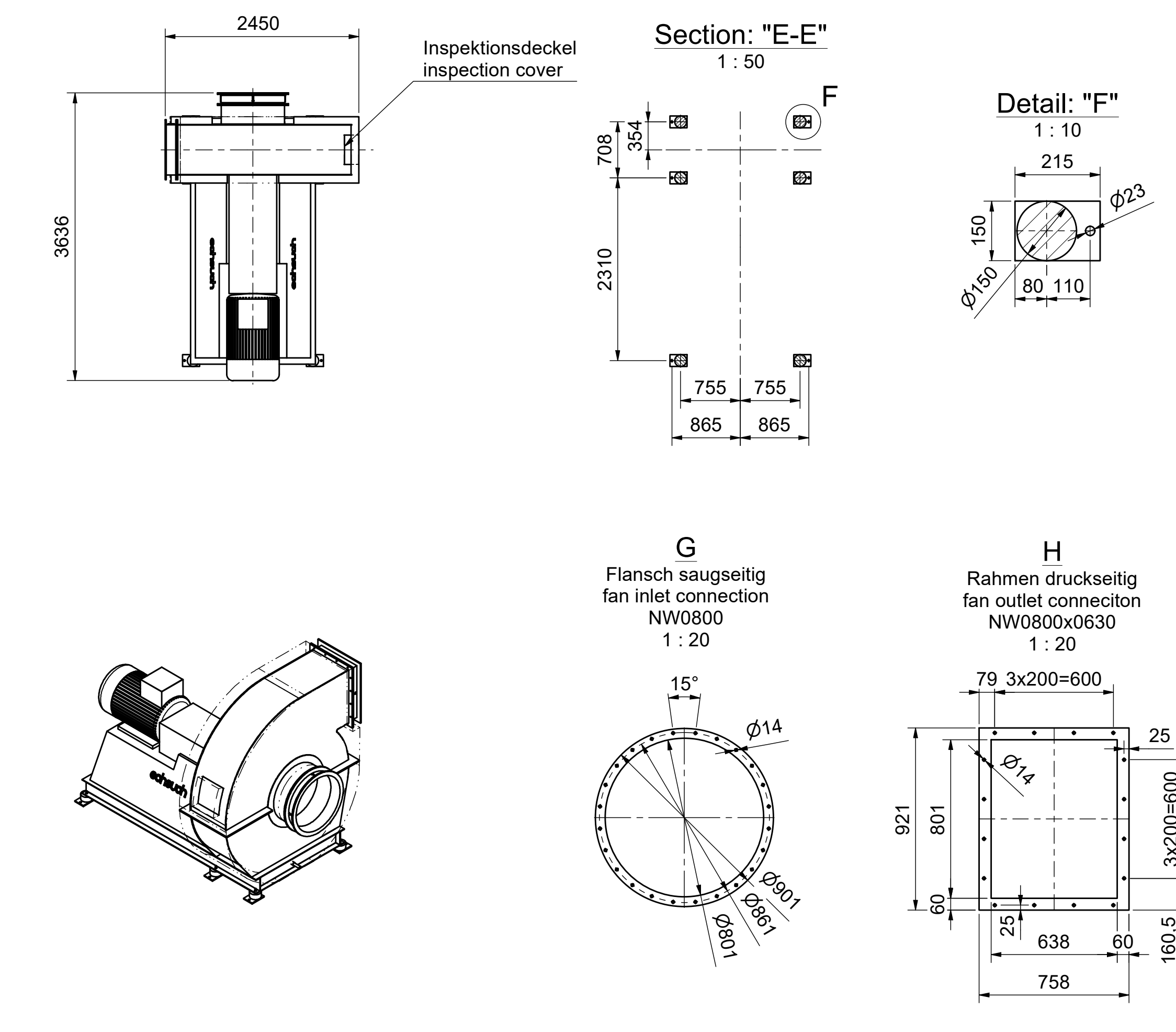
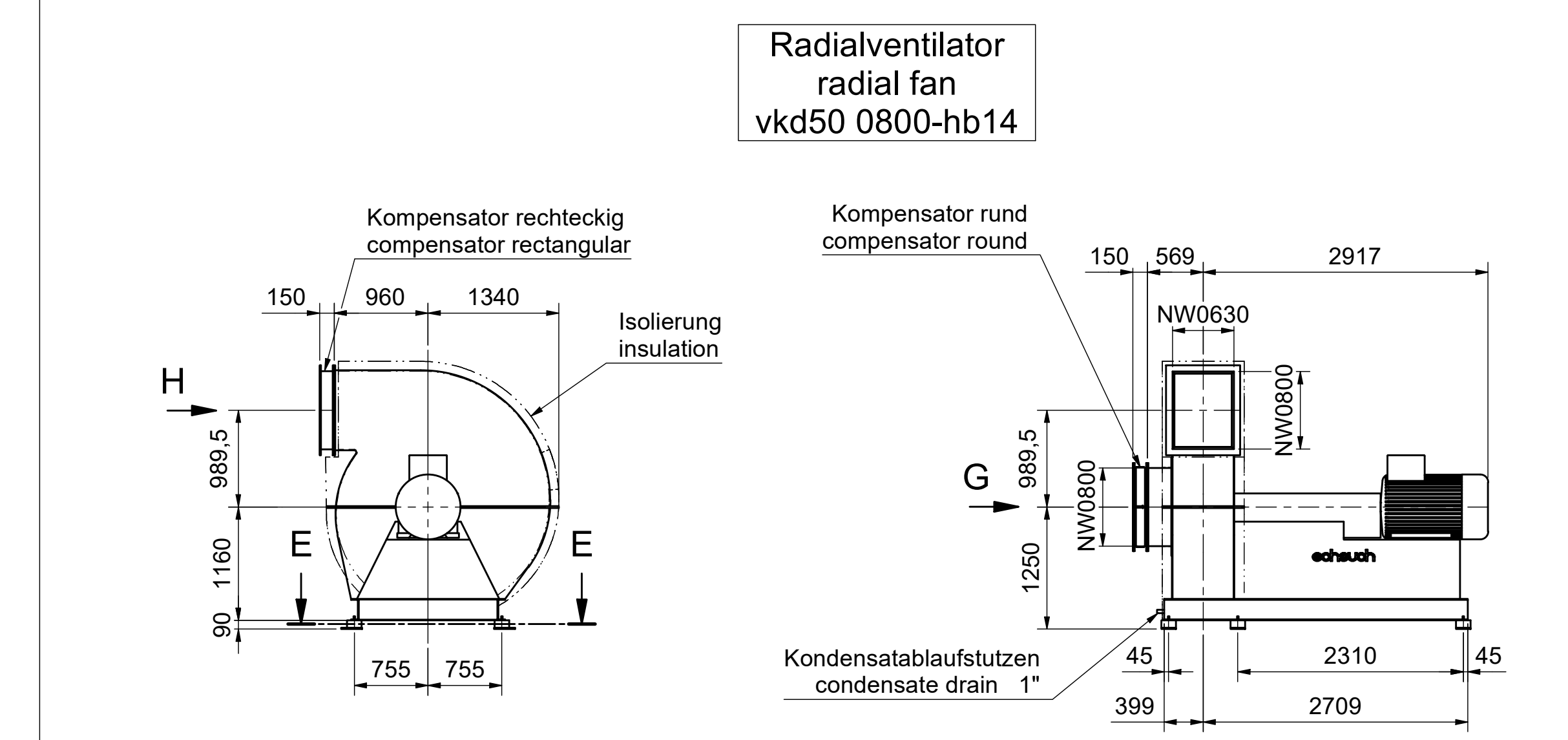
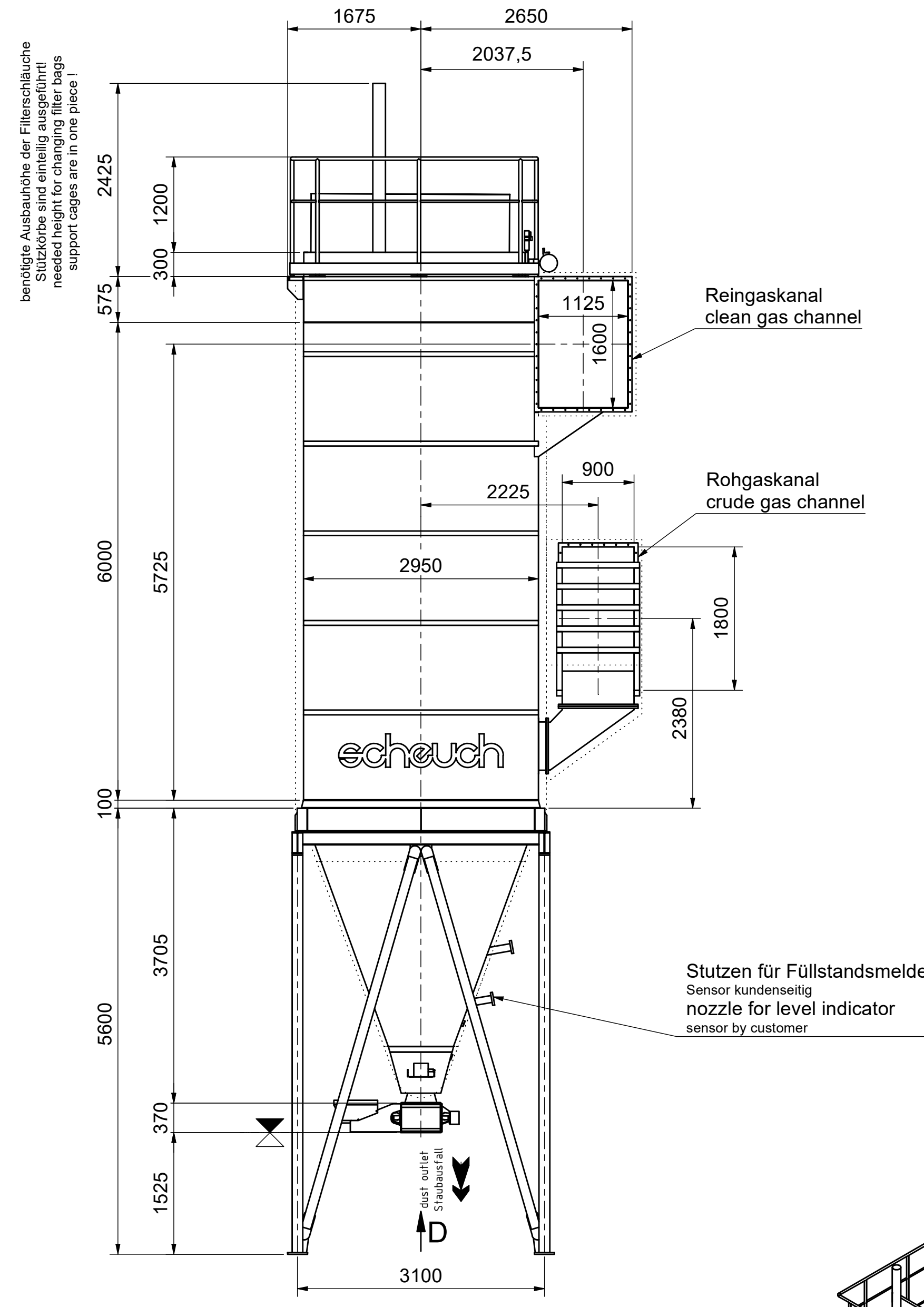
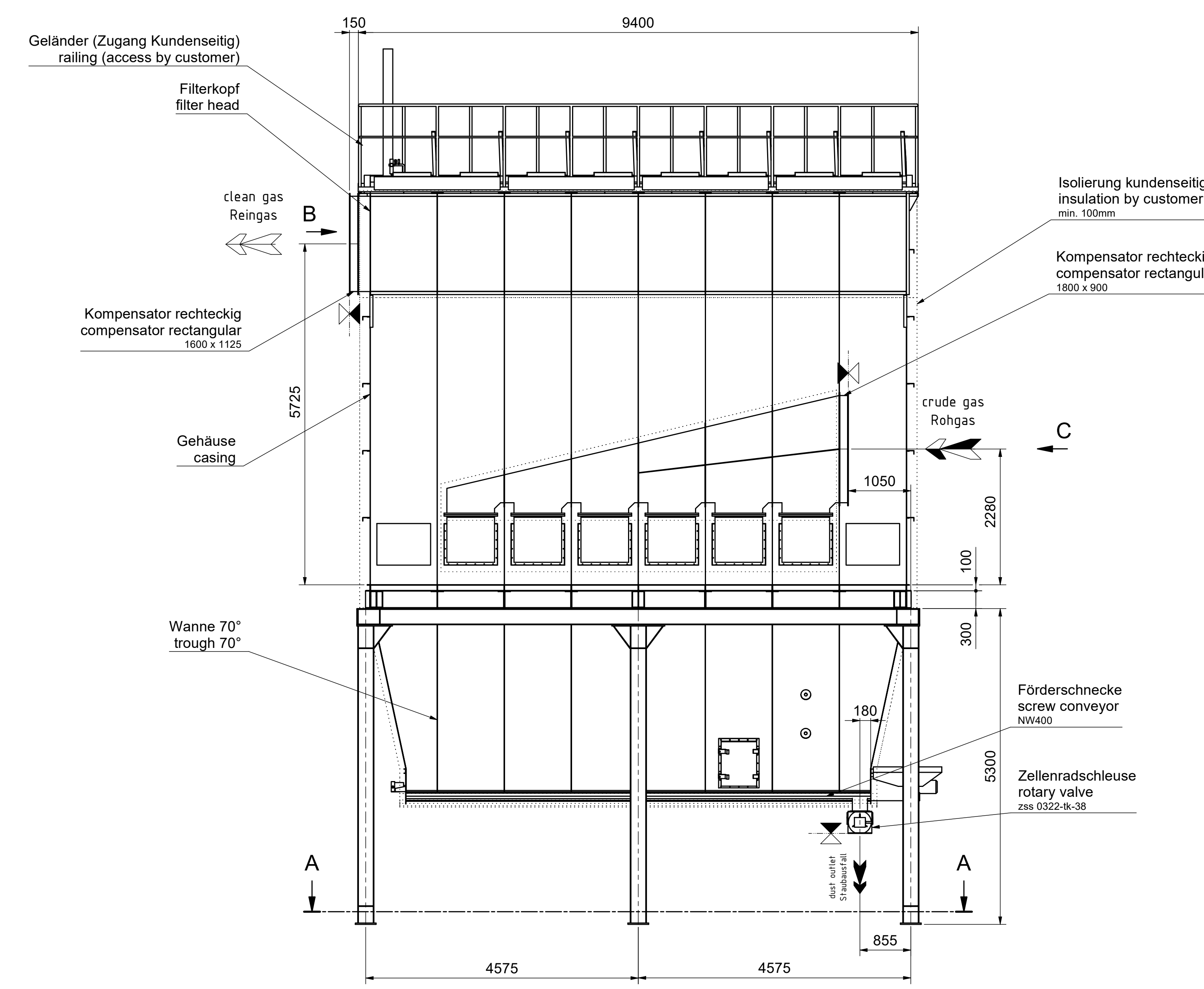


Table with technical specifications: filter type, gas flow, temperature, filter area, air to cloth ratio, type of dust, location.



Scope of supply / Lieferumfang, Achtung! / ATTENTION! Compressed air consumption, Bag cleaning / Schlauchabreinigung, Required compressed air quality, Notwendige Druckluftqualität für Filteranlagen, SEALING-INSTRUCTION.

Revision table with columns for Rev., Description, Date, Name, and other metadata.

Vertical text on the left margin: This is a technical drawing... Copyright by Scheuch GmbH.

Vertical text on the right margin: This is a technical drawing... Copyright by Scheuch GmbH.